

2011 Parts Price Book

Steambaths and Towel Warmers



mr.steam[®]

hello@mrsteam.com
www.mrsteam.com

Visit our web site for product information,
dealer locations and sales representatives at
www.mrsteam.com

Sussman-Automatic Corporation

East Coast:

43-20 34th Street
Long Island City NY 11101
1-800-76 STEAM
Fax: 718-472-3256

West Coast:

9410 S. La Cienega Blvd.
Inglewood CA 90301
1-800-72-STEAM
Fax: 310-216-2944

email: hello@mrsteam.com

www.mrsteam.com



Fan us on
Facebook



Follow us on
Twitter

LinkedIn

You Tube

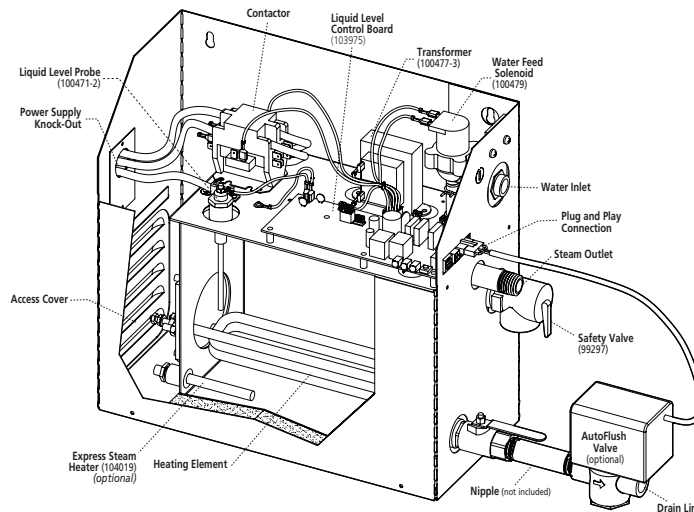
mr.steam[®]

Mr.Steam® MS Residential Steambath Generators

“E” Series: Produced from June 2008 to Present, SN 90000 and higher

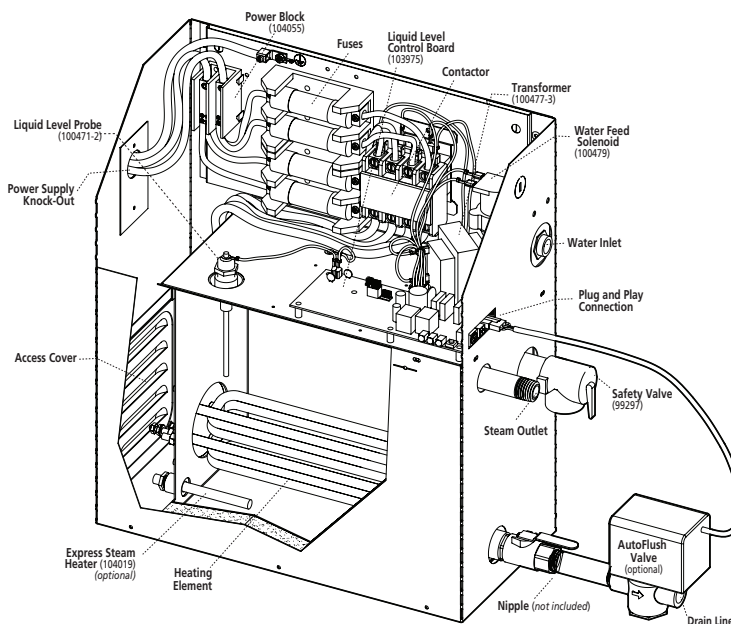
Models MS90E - MS400E

Shown with cover removed and with optional AutoFlush and Express Steam® feature



Models Super1E- Super 6E

Shown with cover removed and with optional AutoFlush and Express Steam® feature

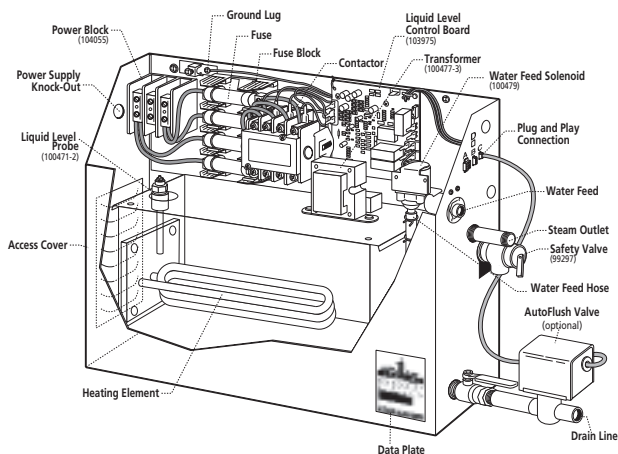


NOTE: All drawings are for illustrative purposes only. Some components may be omitted or altered for clarity. Do not use for wiring, repair or other purposes not related to component identification. Refer to appropriate manual for additional details.

T” Series: Produced from April 2003 to May 2008, SN 355500 to 899999

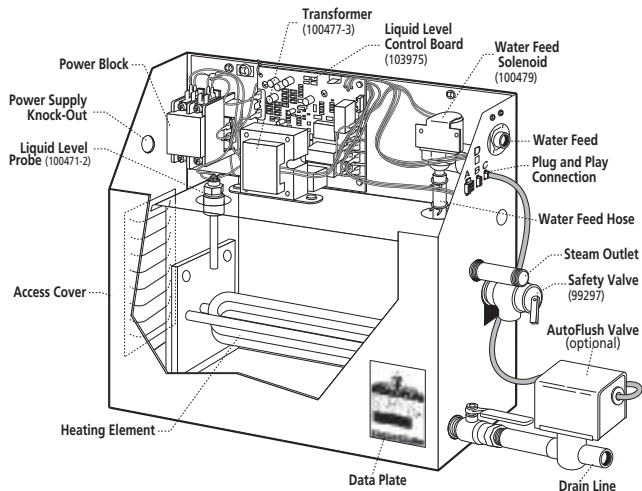
Models 65T - MS 400T

Shown with cover removed and with optional AutoFlush



Models MS SUPER T - MS SUPER 6T

Shown with cover removed and with optional AutoFlush



Mr.Steam® MS Residential Steambath Generators

MODELS MS 90E-400E, MS SUPER 1E-SUPER 6E

MODELS MS 65T-400T, MS SUPER 1T-SUPER 6T

PART No.	DESCRIPTION	PRICE
ELEMENTS		
29041BMS	4.5KW 208V 1PH MS65	\$310.00
29041CMS	4.5KW 240V 1PH MS65	310.00
29043CMS	4.5KW 240V 3PH MS65	310.00
29043BMS	4.5KW 208V 3PH MS65	310.00
29051BMS	5KW 208V 1PH MS90	310.00
29051CMS	5KW 240V 1PH MS90	310.00
29053CMS	5KW 240V 3PH MS90	310.00
29053BMS	5KW 208V 3PH MS90	310.00
29061BMS	6KW 208V 1PH MS150	310.00
29061CMS	6KW 240V 1PH MS150	310.00
29063CMS	6KW 240V 3PH MS150	310.00
29063BMS	6KW 208V 3PH MS150	310.00
29071BMS	7.5KW 208V 1PH MS225	310.00
29071CMS	7.5KW 240V 1PH MS225	310.00
29073BMS	7.5KW 208V 3PH MS225	310.00
29073CMS	7.5KW 240V 3PH MS225	310.00
29081BMS	8.5KW 208V 1PH MS300	310.00
29081CMS	8.5KW 240V 1PH MS300	310.00
29083BMS	8.5KW 208V 3PH MS300	310.00
29083CMS	8.5KW 240V 3PH MS300	310.00
29091BMS	9KW 208V 1PH MS400	310.00
29091CMS	9KW 240V 1PH MS400	310.00
29093BMS	9KW 208V 3PH MS400	310.00
29093CMS	9KW 240V 3PH MS400	310.00
29101BMS	10KW 208V 1PH MS SUPER 1	439.00
29101CMS	10KW 240V 1PH MS SUPER 1	439.00
29103BMS	10KW 208V 3PH MS SUPER 1	439.00
29103CMS	10KW 240V 3PH MS SUPER 1	439.00
29121BMS	12KW 208V 1PH MS SUPER 2	439.00
29121CMS	12KW 240V 1PH MS SUPER 2	439.00
29123BMS	12KW 208V 3PH MS SUPER 2	439.00
29123CMS	12KW 240V 3PH MS SUPER 2	439.00
29151BMS	15KW 208V 1PH MS SUPER 3	439.00
29151CMS	15KW 240V 1PH MS SUPER 3	439.00
29153BMS	15KW 208V 3PH MS SUPER 3	439.00
29153CMS	15KW 240V 3PH MS SUPER 3	439.00
99096MS	GASKET 4-1/2 INCHES DIA. (for all elements, compound not required)	12.00

Prices are FOB factory, Long Island City, NY • Prices are subject to change without notice • Handling charges apply to equipment, accessories and parts orders.

Mr.Steam® MS Residential Steambath Generators

MODELS MS 90E-400E, MS SUPER 1E-SUPER 6E

MODELS MS 65T-400T, MS SUPER 1T-SUPER 6T

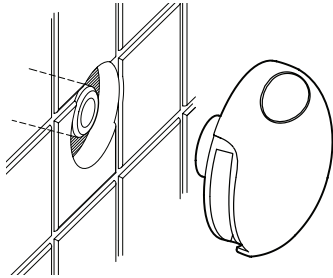
PART No.	DESCRIPTION	PRICE
MISC. PARTS		
MSTS	Room Sensor with Integral 30' Cable for E Series and T Series	\$146.00
MSTS-60	Room Sensor with Integral 60' Cable for E Series and T Series	177.00
103904	12 Ft. Cable for Connecting Two Generators	13.00
103917	30 Ft Cable for Connecting up to Five Generators	40.00
100471-2	WATER LEVEL PROBE	40.00
100477-1	TRANSFORMER 208-240/24 VAC (MS "T" Models Only)	72.00
100477-3	TRANSFORMER 208-240/24 VAC (MS "E" Models Only)	78.00
100479	WATER FEED SOLENOID	89.00
70441-18	TUBING (Water Feed Hose)	8.00
99314	POWER FUSE 60A 250V MS SUPER 1T- 6T 1PH	12.00
104055	POWER BLOCK	41.00
103660	FUSE BLOCK	58.00
81500E	AUTOFLUSH® ASSEMBLY - 3 PIN	375.00
103899	LIQUID LEVEL CONTROL BOARD (MS "T" Models Only)	225.00
103975	LIQUID LEVEL CONTROL BOARD (MS "E" Models Only)	282.00
99502	GROUND LUG	7.00
103553	SILICONE SEALANT- TUBE	19.00
CONTACTORS		
99012	24V 50A 3 POLE	\$160.00
100476-2	24V 40A 2 POLE	110.00
103453	24V 50A 4 POLE	278.00
VALVES		
99178MS	DRAIN VALVE	\$ 59.00
99297	15 PSIG SAFETY VALVE 3/4"	33.00
STEAM GENIE/ HOMEWIZARD		
104058	STEAM GENIE & HOMEWIZARD FOB ONLY (Battery Included: CR2032)	\$158.00

Prices are FOB factory, Long Island City, NY • Prices are subject to change without notice • Handling charges apply to equipment, accessories and parts orders.

Mr.Steam® MS Residential Steambath Steamheads

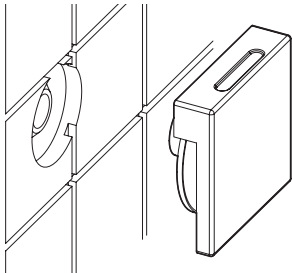
MODELS MS 90E-400E, MS SUPER 1E- SUPER 6E

MODELS MS 65T-400T, MS SUPER 1T-SUPER 6T



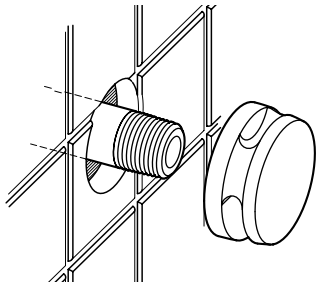
Steamhead PN 103937

Identify the steamhead according to the illustration above. (Steamhead is 3" diameter). End of steam supply nipple is recessed 1/4" behind finished surface. Generators with SN 741000 and higher. See installation and operation manual for complete instructions.



Steamhead PN 104040

Identify the steamhead according to the illustration above. (Steamhead is 3" square). End of steam supply nipple is recessed 1/4" behind finished surface. Generators with SN 741000 and higher. See installation and operation manual for complete instructions.



Steamhead PN 99212-99

Identify the steamhead according to the illustration above. (Steamhead is 2" diameter). End of steam supply nipple to protrude 1/8" above finished surface. Generators with SN up to 740999. See installation and operation manual for complete instructions.

PART No.	DESCRIPTION	PRICE
STEAMHEADS		
103937PC	STEAM HEAD Polished Chrome	\$ 100.00
103937BN	STEAM HEAD Brushed Nickel	170.00
103937ORB	STEAM HEAD Oil Rubbed Bronze	170.00
103937PB	STEAM HEAD Polished Brass	170.00
103937PG	STEAM HEAD Polished Gold	170.00
103937PN	STEAM HEAD Polished Nickel	170.00
103937SN	STEAM HEAD Satin Nickel	170.00
103937AB	STEAM HEAD Antique Brass	170.00
103937BB	STEAM HEAD Brushed Bronze	170.00
103937MB	STEAM HEAD Matte Black	170.00
103938	ACRYLIC SHIELD (for use with 103937 Steam heads)	50.00

104040PC	STEAM HEAD SQUARE Polished Chrome	\$ 100.00
104040BN	STEAM HEAD SQUARE Brushed Nickel	170.00
104040ORB	STEAM HEAD SQUARE Oil Rubbed Bronze	170.00
104040PB	STEAM HEAD SQUARE Polished Brass	170.00
104040PG	STEAM HEAD SQUARE Polished Gold	170.00
104040PN	STEAM HEAD SQUARE Polished Nickel	170.00
104040SN	STEAM HEAD SQUARE Satin Nickel	170.00
104040AB	STEAM HEAD SQUARE Antique Brass	170.00
104040BB	STEAM HEAD SQUARE Brushed Bronze	170.00
104040MB	STEAM HEAD SQUARE Matte Black	170.00
103938SQ	ACRYLIC SHIELD (for use with 104040 Steam heads)	50.00

99212-99PC	STEAM HEAD POLISHED CHROME	\$ 100.00
99212-99BN	STEAM HEAD BRUSHED NICKEL	160.00
99212-99ORB	STEAM HEAD OIL RUBBED BRONZE	160.00
99212-99PB	STEAM HEAD POLISHED BRASS	160.00
99212-99PG	STEAM HEAD POLISHED GOLD	160.00
99212-99PN	STEAM HEAD POLISHED NICKEL	160.00
99212-99SN	STEAM HEAD SATIN NICKEL	160.00
99212-99AB	STEAM HEAD ANTIQUE BRASS	160.00
103412	ACRYLIC SHIELD (for use with 99212-99 Steam heads)	45.00

Mr.Steam® MS Residential Steambath Controls

MODELS MS 90E-400E, MS SUPER 1E-SUPER 6E

eTempo Controls and eTempo Compatible Generators
SN 900000 and up

MODELS MS 65T-400T, MS SUPER 1T-SUPER 6T

Tempo Controls and Tempo Compatible Generators
SN 355500 to 899999

PART No.	DESCRIPTION	PRICE
----------	-------------	-------

eTEMPO and eTEMPO/PLUS CONTROL COVERS: FOR USE WITH MODELS MS90E-MS 400E, MS SUPER 1E-MS SUPER 6E

104053	eTEMPO CONTROL - No cover	350.00
104053PLUS	eTEMPO PLUS CONTROL - No cover	700.00
104002 PC	ROUND eTEMPO CONTROL COVER Polished Chrome	\$71.00
104002 __	ROUND eTEMPO CONTROL COVER <i>Select finish below and add code</i>	132.00
104003 PC	ROUND eTEMPO PLUS CONTROL COVER Polished Chrome	71.00
104003 __	ROUND eTEMPO PLUS CONTROL COVER <i>Select finish below and add code</i>	132.00
104004PC	SQUARE eTEMPO CONTROL COVER Polished Chrome	71.00
104004__	SQUARE eTEMPO CONTROL COVER <i>Select finish below and add code</i>	132.00
104005PC	SQUARE eTEMPO PLUS CONTROL COVER Polished Chrome	71.00
104005__	SQUARE eTEMPO PLUS CONTROL COVER <i>Select finish below and add code</i>	132.00
103932	TEMPO/ETEMPO (3) BUTTON RUBBER KEY PAD	17.00
104014	ETEMPO/PLUS (7) BUTTON RUBBER KEY PAD	18.00
103990-30	CONTROL CABLE 30'	60.00
103990-60	CONTROL CABLE 60'	100.00
MSTS	ROOM SENSOR - 30'	146.00

TEMPO AND TEMPO/PLUS CONTROLS: FOR USE WITH MODELS MS 65T-MS 400T, MS SUPER 1T-MS SUPER 6T (Generators SN 355500 to 899999 only)

104053T	ROUND TEMPO CONTROL - No Cover	\$350.00
104053TPLUS	ROUND TEMPO/PLUS CONTROL - No Cover	700.00
103902PC	ROUND TEMPO CONTROL COVER Polished Chrome	63.00
103902__	ROUND TEMPO CONTROL COVER <i>Select finish below and add code</i>	187.00
103903PC	ROUND TEMPO PLUS CONTROL COVER Polished Chrome	63.00
103903__	ROUND TEMPO PLUS CONTROL COVER <i>Select finish below and add code</i>	187.00
103932	TEMPO/ETEMPO KEY PAD	17.00
103933	TEMPO/PLUS KEY PAD	21.00
103978-30	ETEMPO/START CABLE 30 ft.	67.00
103978-60	ETEMPO/START CABLE 60 ft.	113.00
103905	CONTROL CABLE 30' for Tempo Control	47.00
103922	CONTROL CABLE 60' for Tempo Control	95.00
104032	CONVERSION CABLE Tempo control cable to eTempo control cable	90.00

SMART CONTROLS & GENERATORS

NOTE: These parts are unique to Smart Controls and compatible generators.

81500S	AUTOFLUSH - For Tempo Units 2 Pin	\$400.00
103583K	AUTOFLUSH TIME DELAY RELAY (up to SN 145988)	196.00
103911	AUTOFLUSH ADAPTOR CABLE for PN 81500S	18.00
103675-1	LIQUID LEVEL CONTROL BOARD with integrated TDR	189.00
103659	VARISTOR	13.00
103608	CONTROL CABLE 30'	68.00
MSNC	EXTERNAL ROOM SENSOR for Smart/Two or Plus	155.00
MS 1-PC	SMART/ONE CONTROL Polished Chrome	395.00
MS PLUS-PC	SMART/PLUS CONTROL Polished Chrome	750.00



eTempo Round



eTempo/Plus Round



eTempo Square



eTempo/Plus Square

DESIGNER FINISH CODES:

PC= Polished Chrome
PB= Polished Brass
PN= Polished Nickel
MB=Matte Black
SN= Satin Nickel
PG= Polished Gold
BN= Brushed Nickel
AB= Antique Brass
BB= Brushed Bronze
ORB= Oil Rubbed Bronze

Prices are FOB factory, Long Island City, NY • Prices are subject to change without notice • Handling charges apply to equipment, accessories and parts orders.

Mr.Steam® MS Residential Accessory Parts

PART No.	DESCRIPTION	PRICE
AROMASTEAM™ RESIDENTIAL OIL INJECTION SYSTEM		
103861	PUMP HEAD	\$259.00
E01-1032	HOSE (per ft.)	9.00
103987	AROMASTEAM FILTER	111.00
103983	AROMASTEAM SYRINGE	14.00
103918	AROMASTEAM ATOMIZING NOZZLE	197.00
103936	MS AROMA DEMAND BUTTON	71.00
104024	CABLE ASSEMBLY - MS Chroma eTempo	78.00

AROMASTEAM ESSENTIAL OILS for Aromasteam System only

MS OIL 1	AROMASTEAM OIL, 1L. (33 oz.) Eucalyptus	\$100.00
MS OIL 2	AROMASTEAM OIL, 1L. (33 oz.) Lavender	100.00
MS OIL 3	AROMASTEAM OIL, 1L. (33 oz.) Evergreen	100.00
MS OIL 4	AROMASTEAM OIL, 1L. (33 oz.) Energizing Mint	100.00
MS OIL 5	AROMASTEAM OIL, 1L. (33 oz.) Breathe	100.00

CHROMASTEAM®

103960	LED REPLACEMENT CLUSTER FOR MS CHROMA	\$175.00
--------	---------------------------------------	----------

WALLSEAT

104052PC	HARDWALL BRACKET KIT- POLISHED CHROME	\$40.00
104052BN	HARDWALL BRACKET KIT- BRUSHED NICKEL	45.00
104052SN	HARDWALL BRACKET KIT- SATIN NICKEL	45.00

MS LIGHT

104073	BULB REPLACEMENT 13 Watt, Compact Fluorescent	\$52.00
--------	---	---------

CHAKRA OILS - 10 ML BOTTLES w/INTEGRATED DROPPER

104006	VITATLITY RED	\$30.00
104007	INVIGORATIONG ORANGE	30.00
104008	YELLOW AWAKENING	30.00
104009	GREEN HARMONY	30.00
104010	CELESTIAL BLUE	30.00
104011	MYSTIC INDIGO	30.00
104012	VIOLET NIRVANA	30.00
MS CHAKRA7	7-PACK	150.00

AROMASTEAM ESSENTIAL OILS- 10 ML BOTTLES W/INTEGRATED DROPPER

103810	AROMASTEAM OIL, Eucalyptus	\$25.00
103811	AROMASTEAM OIL, Lavender	25.00
103812	AROMASTEAM OIL, Evergreen	25.00
103813	AROMASTEAM OIL, Energizing Mint	25.00
103814	AROMASTEAM OIL, Breathe	25.00
MSESENTIALS5	5-PACK- one of each fragrance	100.00



Aromasteam Oil Injection Pump



Aroma Essential Oil 1 Liter Bottle



ChromaSteam



Wall Seat



MS Light



Chakra Oils



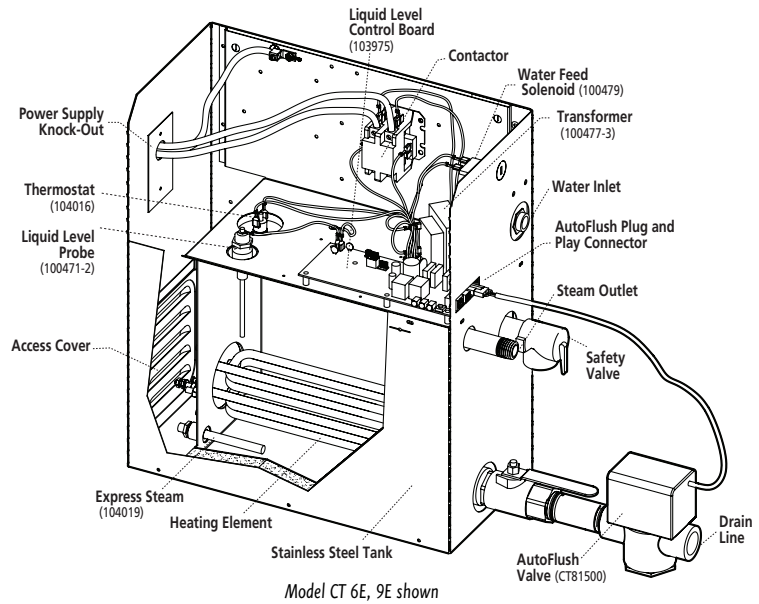
Aroma Oils

Prices are FOB factory, Long Island City, NY • Prices are subject to change without notice
Handling charges apply to equipment, accessories and parts orders.

Mr.Steam® CT Day Spa Steam Generators

Models CT 6E, 9E, 12E, 15E

Shown with cover removed
and with optional AutoFlush



NOTE: Drawing is for illustrative purposes only.
Some components may be omitted or altered for clarity. Do not use for wiring, repair or other purposes not related to component identification. Refer to appropriate manual for additional details.

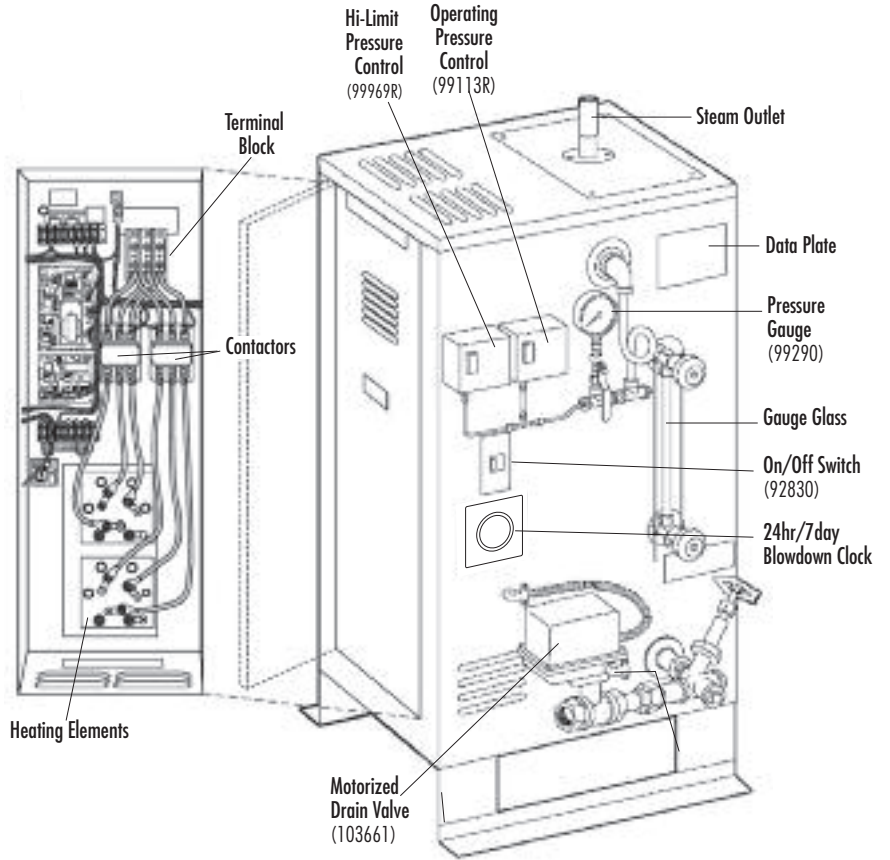
PART No.	DESCRIPTION	PRICE		
EXPRESS STEAM				
104015	EXPRESS STEAM THERMOSTAT	\$52.00		
104019	HEATING ELEMENT FOR EXPRESS STEAM (for SN916918 and higher only)	174.00		
STEAMHEADS				
103937PC	STEAMHEAD - Polished Chrome	\$100.00		
103937 __	STEAMHEAD - Add Finish Code, see below.	170.00		
103938	ACRYLIC SHIELD (for use with 103937 Steamheads)	50.00		
DESIGNER FINISH CODES:				
PC= Polished Chrome	PB= Polished Brass	PN= Polished Nickel	MB=Matte Black	SN= Satin Nickel
PG= Polished Gold	ORB= Oil Rubbed Bronze	BN= Brushed Nickel	AB= Antique Brass	BB= Brushed Bronze
ELEMENTS				
29061 BMS	6KW 208V 1PH CT6E	\$310.00		
29061 CMS	6KW 240V 1PH CT6E	310.00		
29091 BMS	9KW 208V 1PH CT9E	310.00		
29091 CMS	9KW 240V 1PH CT9E	310.00		
29121 BMS	12KW 208V 1PH CT12E	439.00		
29121 CMS	12KW 240V 1PH CT12E	439.00		
29151 BMS	15KW 208V 1PH CT15E	439.00		
29151 CMS	15KW 240V 1PH CT15E	439.00		
OTHER ACCESSORIES				
CT81500	AUTOFLUSH ASSEMBLY 1" NPT	\$375.00		
CT-STEAMSTOP	START/STOP BUTTON	175.00		
103978-60	60 FOOT CABLE	113.00		
104016	HIGH LIMIT THERMOSTAT	74.00		

NOTE: For other component parts, see page 3.

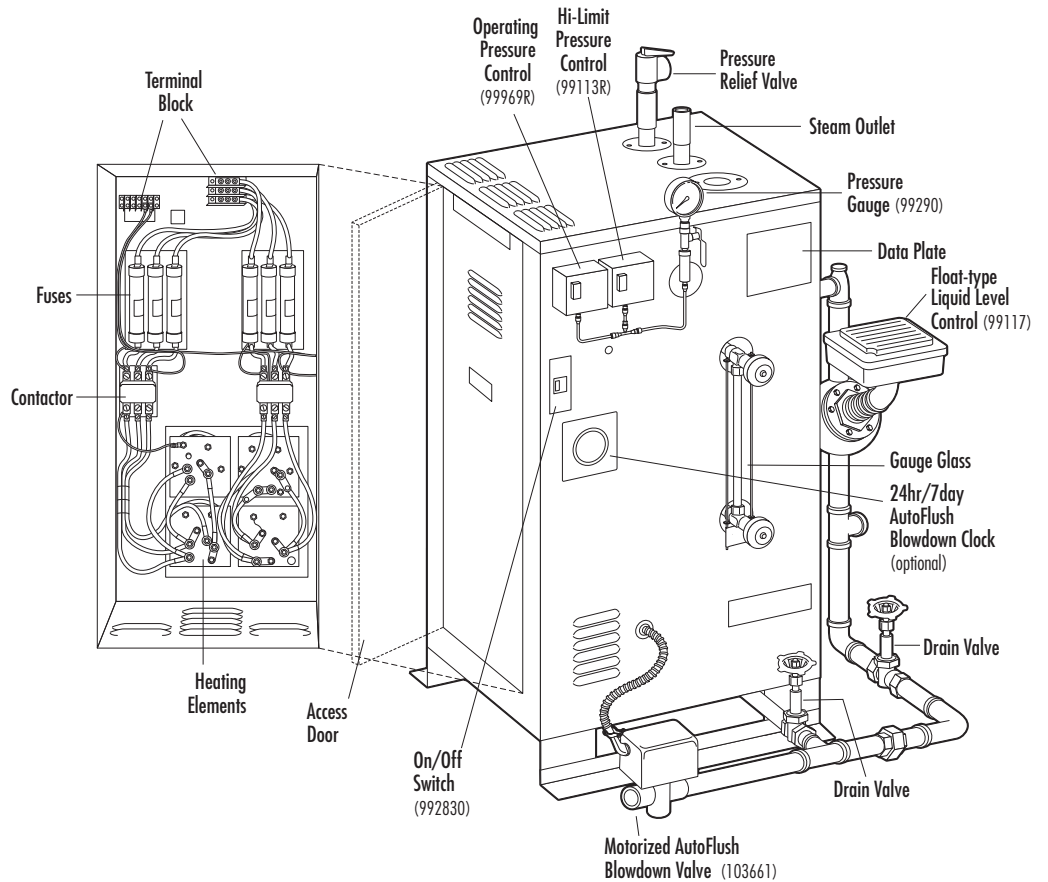
Prices are FOB factory, Long Island City, NY • Prices are subject to change without notice • Handling charges apply to equipment, accessories and parts orders.

Mr.Steam® CU Commercial Units

CU 360-CU 1400
Typical Component
Arrangement



CU 2000-4500
with Digital 1,
Clock and Blowdown



Mr.Steam® CU Series Commercial Steambath Generators

MODELS CU 360 - CU 4500

PART No.	DESCRIPTION	PRICE
----------	-------------	-------

BLOWDOWN

99353	TIME DELAY RELAY BOARD	\$131.00
103805	MECHANICAL MIL 72* BLOWDOWN TIMER - Analog	206.00
103662	FIELD KIT DIGI 20* BLOWDOWN TIMER - Digital LED Screen	201.00

*Both MIL 72 and DIGI 20 BLOWDOWN TIMERS are available for surface mounting. Add suffix "K" to Part Number

CONTACTORS

99003	50A 3 POLE 120V 50/60	\$226.00
99006B	50A 4 POLE 120V 50/60	342.00
99075	60A 3 POLE 120V 50/60	305.00
102206-1	75A 3 POLE 120V 50/60	436.00

CONTROLS

COMPONENTS FOR DIGITAL 1 CONTROL

104066	D1 PLUS CONTROL ONLY 120V	\$226.00
104066C	D1 PLUS CONTROL ONLY 240V	216.00
104067-1	SENSOR ONLY FOR D1 PLUS with Guard	182.00
100886	BULB GUARD D1 SENSOR	20.00
CU-104066	D1 PLUS FIELD KIT 120V with Sensor + Guard, Cable	554.00
CU-104066C	D1 PLUS FIELD KIT 240V with Sensor + Guard, Cable	554.00
99216B	CU-30 MINUTE MECHANICAL TIMER	70.00
99216DIG	DIGITAL TIMER	485.00

COMPONENTS FOR F1 CONTROL

103730	F1 PLUS CONTROL ONLY 120V	\$210.00
103730C	F1 PLUS CONTROL ONLY 240V	200.00
103731-1	SENSOR ONLY FOR F1 PLUS with Guard + 25' Cable	142.00
103731-100	SENSOR ONLY FOR F1 PLUS with Guard + 100' Cable	206.00
100886	BULB GUARD F1 SENSOR	20.00
CU-99204R	ROOM TEMPERATURE CONTROL-Honeywell	217.00
99216B	CU-30 MINUTE MECHANICAL TIMER	70.00
99216DIG	DIGITAL TIMER	485.00

PART No.	DESCRIPTION	PRICE
----------	-------------	-------

ELEMENTS

29091B	9 KW 208V 1 PH	\$480.00
29091C	9 KW 240V 1 PH	480.00
29093B	9 KW 208V 3 PH	420.00
29093C	9 KW 240V 3 PH	420.00
39121B	12 KW 208V 1PH	490.00
39121C	12 KW 240V 1PH	490.00
39123B	12 KW 208V 3PH	430.00
39123C	12 KW 240V 3PH	430.00
39123F	12 KW 480V 3PH	430.00
39181B	18 KW 208V 1PH	510.00
39181C	18 KW 240V 1PH	510.00
39183B	18 KW 208V 3PH	450.00
39183C	18 KW 240V 3PH	450.00
39183F	18 KW 480V 3PH	450.00
99088	GASKET COMPOUND	8.00
99096	GASKET 4 1/2" DIA.	12.00
103540	GASKET KIT (includes gasket, hardware, bolts & compound)	21.00
99547B	BOLT KIT FOR ELEMENT (6 Pcs)	11.00



DIGITAL-1 CONTROL



F1 CONTROL

Prices are FOB factory, Long Island City, NY • Prices are subject to change without notice • Handling charges apply to equipment, accessories and parts orders.

Mr.Steam® CU Series Commercial Steambath Generators

MODELS CU 360 - CU 4500

PART No.	DESCRIPTION	PRICE
ELECTRICAL		
100886	BULB GUARD	\$ 20.00
90229	PROBE SPARK PLUG-(1) FOR EACH ROD W/O PROBE ROD	55.00
92830	ON/OFF SWITCH	27.00
99207	TERMINAL BLOCK 150 AMP 3 POLE	68.00
99524-6T	18" #6 WIRE WITH TERMINAL-FOR HEATING ELEMENT	19.00
99807B	1/4" x 9" PROBE ROD STAINLESS** CU360-CU1400-LOW WATER	21.00
99807C	1/4" x 6" PROBE ROD STAINLESS** CU360-CU1400-HI WATER	21.00
103127	DUAL PROBE LL PC BOARD 120V CU360-CU1400	335.00
103127-1	DUAL PROBE LL PC BOARD 240V CU360-CU1400	366.00
100378	PROBE ISOLATOR	77.00
90229-1	AUX LWCO PROBE ASSEMBLY HWCO PROBE	90.00
90241MR	AUX LWCO BOARD (All CU Models)	469.00
92829	AUX LWCO PILOT LIGHT	14.00
99348	AUX LWCO RESET BUTTON	36.00
90241D	HIGH WATER LEVEL CONTROL	151.00
99315	FUSE BLOCK 208/240V	62.00
99314	POWER FUSES 208/240V 60A 250V	12.00
99317	FUSE BLOCK 480V	89.00
99316	POWER FUSES 480V 60A 600V	39.00
99580	TERMINAL BLOCK 4 POLE	18.00
99593	TERMINAL BLOCK	224.00

**Also CU1000 -1400 w/SN beginning with "AX"

GAUGE GLASS

99074-1	GAUGE GLASS WITH 2 GASKETS (CU360 - 750) 7 ⁷ / ₈ " long	\$30.00
	GAUGE GLASS WITH 2 GASKETS (CU1000 - 1400) 7 ⁷ / ₈ " long (SN beginning with "AX")	30.00
99080-1	GAUGE GLASS WITH 2 GASKETS (CU1000 - CU1400) 9 ⁷ / ₈ " long (SN beginning with "N")	37.00
	GAUGE GLASS WITH 2 GASKETS (CU2000 - CU3000) 9 ⁷ / ₈ " long	37.00
99081-1	GAUGE GLASS WITH 2 GASKETS (CU4500) -11 ³ / ₄ "	42.00
99174CV	GAUGE GLASS O-RING GASKET-VITON WASHER	8.00
99173C	GAUGE GLASS VALVE SET LESS TUBE AND RODS	97.00

MECHANICAL FEEDER

99114	MECHANICAL LOW WATER CUTOFF & FEEDER M/M No.150 (CU2000 - CU4500)	\$730.00
103914	MICRO SWITCH ASSY	402.00
SA150-14	HEAD GASKET	17.00
SA150-11	FLOAT ROD & BALL ASSEMBLY	373.00

Prices are FOB factory, Long Island City, NY • Prices are subject to change without notice • Handling charges apply to equipment, accessories and parts orders.

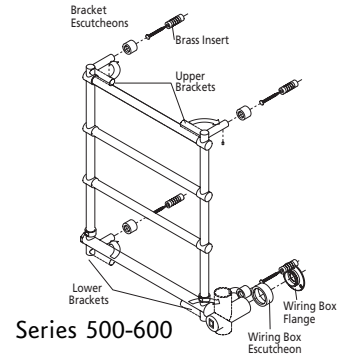
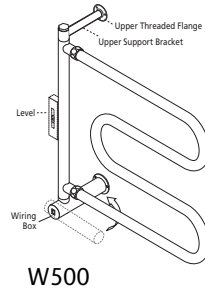
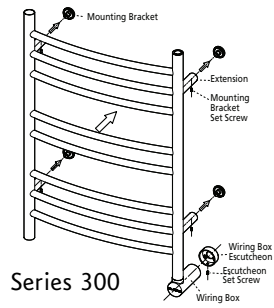
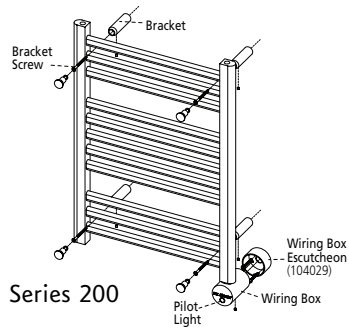
Mr.Steam® CU Series Commercial Steambath Generators

MODELS CU 360 - CU 4500

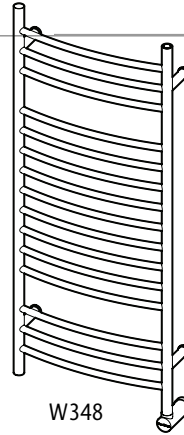
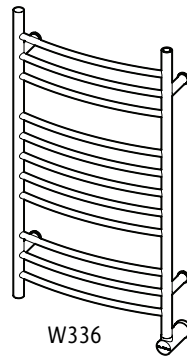
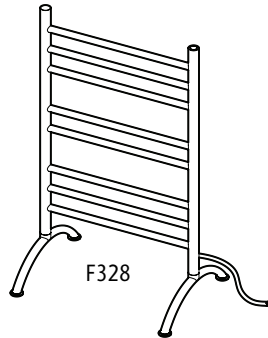
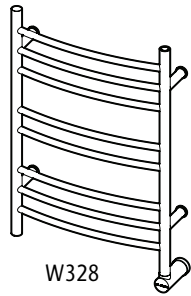
PART No.	DESCRIPTION	PRICE
WATER FEED AND STEAM SOLENOIDS		
99031	1/2" 120V WATER FEED	\$243.00
99032	1/2" 240V WATER FEED	245.00
99042	1/4" 120V WATER FEED	214.00
99042C	1/4" 240V WATER FEED	222.00
99284A	LOW PRESSURE STEAM 120V 1"	365.00
99285A	LOW PRESSURE STEAM 120V 1/2"	284.00
99284B	LOW PRESSURE STEAM 240V 1"	403.00
99285B	LOW PRESSURE STEAM 240V 1/2"	292.00
99286A	LOW PRESSURE STEAM 120V 3/4"	307.00
PRESSURE CONTROLS		
99113R	OPERATING PRESSURE CONTROL 0-15 PSIG	\$226.00
99290	PRESSURE GAUGE 0-30 PS	74.00
99969R	HI-LIMIT CONTROL W/MANUAL RESET 15PSIG	375.00
FB023	PIGTAIL 1/4" NPT 180°	21.00
VALVES		
99123	STRAINER 1/2" INCH	\$51.00
99167	SPRING CHECK VALVE 1/2"	81.00
99178	VALVE 1/2 STEAM BALL	62.00
99182	VALVE GATE VALVE 3/4" STEAM	138.00
99184	VALVE GATE VALVE 1 STEAM	191.00
99297	15 PSIG SAFETY VALVE 3/4" - CU360 - CU1400	33.00
99132	15 PSIG SAFETY VALVE 1/2" - CU2000	723.00
99297V	15 PSIG SAFETY VALVE 3/4" - CU3000 - CU3500	398.00
99141	15 PSIG SAFETY VALVE 1" - CU4500	775.00
MISC. PARTS		
103984 PC	STEAM HEAD -3/4" POLISHED CHROME	\$125.00
103985	ACRYLIC SHIELD (for use with 103984 Steamhead)	48.00
99212-99PC	STEAM HEAD - POLISHED CHROME	95.00
103412	ACRYLIC SHIELD (for use with 99212-34 steamhead)	44.00
99216B	30 MINUTE MECHANICAL TIMER	70.00
99216DIG	30 MINUTE DIGITAL COUNTDOWN TIMER	485.00
104072	STEAM VENT	199.00
AROMAFLO® COMMERCIAL OIL INJECTION SYSTEM		
103861	PUMP HEAD	\$259.00
E01-1032	HOSE (per ft.)	9.00
103987	AROMASTEAM FILTER	111.00
103983	AROMASTEAM SYRINGE	14.00
103918	AROMASTEAM ATOMIZING NOZZLE	197.00
CU-OIL 1	OIL, EUCALYPTUS 2.6 GAL	285.00
CU-OIL 2	OIL, LAVENDER 2.6 GAL	350.00
103661	1" VALVE TO CU 750 BLOWDOWN VALVE	1,239.00

Prices are FOB factory, Long Island City, NY • Prices are subject to change without notice • Handling charges apply to equipment, accessories and parts orders.

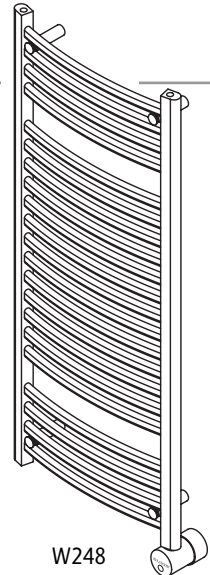
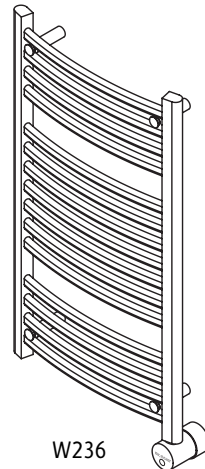
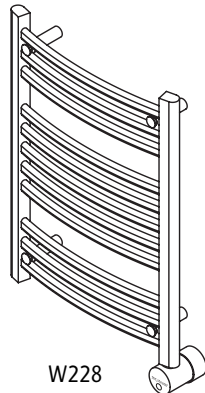
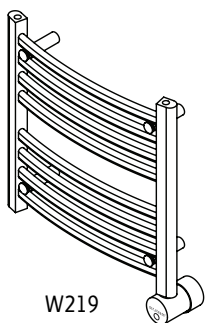
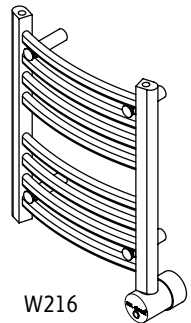
Mounting Diagrams



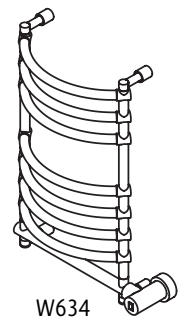
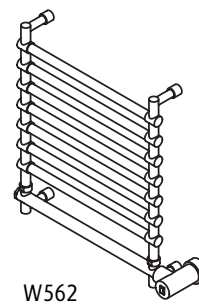
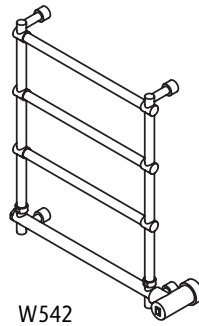
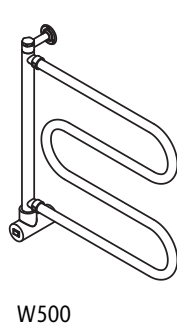
Series 300 Towel Warmers



Series 200 Towel Warmers



Series 500 Towel Warmers



Mr.Steam® Towel Warmers

PART No.	DESCRIPTION	PRICE
LIGHTS AND INDICATORS		
103949	ON/OFF SWITCH - SERIES 500 (SN 40560)	\$16.00
104028	PILOT LIGHT FOR - SERIES 200 (SN 40560 AND UP) AND SERIES 300	15.00
104050	PILOT LIGHT FOR - SERIES 500	15.00
HARDWARE FOR SERIES 200		
104029PC	MOUNTING BRACKET SET - Polished Chrome	\$168.00
104029WH	MOUNTING BRACKET SET - White	168.00
104029ORB	MOUNTING BRACKET SET - Oil Rubbed Bronze	174.00
104031PC	ESCUTCHEON ON WIRING BOX - Polished Chrome	27.00
104031WH	ESCUTCHEON ON WIRING BOX - White	27.00
104031ORB	ESCUTCHEON ON WIRING BOX - Oil Rubbed Bronze	29.00
104093-PC	WALL PLATE- Polished Chrome	30.00
104093-WH	WALL PLATE- White	30.00
104093-ORB	WALL PLATE- Oil Rubbed Bronze	75.00
HARDWARE FOR SERIES 300		
104090-SSB	MOUNTING BRACKET SET - Brushed Stainless Steel	\$125.00
104090-SSP	MOUNTING BRACKET SET - Polished Stainless Steel	125.00
104091-SSB	ESCUTCHEON ON WIRING BOX - Brushed Stainless Steel	20.00
104091-SSP	ESCUTCHEON ON WIRING BOX - Polished Stainless Steel	20.00
104093-SSB	WALL PLATE - Brushed Stainless Steel	30.00
104093-SSP	WALL PLATE - Polished Stainless Steel	30.00
HARDWARE FOR W500 & W510		
103968-PC	MOUNTING BRACKET SET - Polished Chrome	\$116.00
103968-WH	MOUNTING BRACKET SET - White	116.00
103968-ORB	MOUNTING BRACKET SET - Oil Rubbed Bronze	119.00
HARDWARE FOR ALL OTHER W500 & W600 SERIES MODELS (not Hydronic)		
103969-PC	MOUNTING BRACKET SET - Polished Chrome	\$221.00
HARDWARE FOR HYDRONIC MODELS		
103971-PC	MOUNTING BRACKET SET - Polished Chrome	\$221.00

Prices are FOB factory, Long Island City, NY • Prices are subject to change without notice • Handling charges apply to equipment, accessories and parts orders.

Talk to Us: Mr.Steam® Makes it Easy



Web: Visit us at mrsteam.com for additional information including product specifications, sizing calculator, technical downloads and other resources.

Call: Monday - Friday - 8 am to 7 pm. EST
Toll-free (US): East Coast 1.800.767.Steam (767-8326)
West Coast 1.800.727.Steam (727-8326)
Worldwide 1.718.937.4500

For a customer service directory go to:
mrsteam.com/salesandresources/customer-service.html

Email: hello@mrsteam.com

Fax 24/7: East Coast 718.472.3256 West Coast 310.216.2944

Mr. Steam products have one or more of the following recognized approvals:

Built to
ASME B & PV
CODE



City of
Los Angeles
Approved



NOM
596

Products, information and specifications are subject to change without notice.

©2011 Sussman-Automatic Corporation*

MR. STEAM and des., A Lifetime of Pleasure, AromaFlo, AutoFlush, Clean Steam...Every Time, Club Therapy, eTempo, eTempo/Plus, From Bathroom to Spa, Making Wellness a Way of Life, Music Therapy, Steam on Demand, Steam@Home, Steam Stop, SteamTherapy, and Sussman are registered trademarks of Sussman-Automatic Corporation. AromaSteam, Butler Package, ChromaSteam, Digital 1, Express Steam, HomeWizard, Spa Package, Steam Genie, The Intelligent Steam Bath and Valet Package are trademarks of Sussman-Automatic Corporation.

PUR 100295 4/11 5K