

# mr.steam® shower seat

## Installation Instructions

## Model MS-Seat

**! WARNING** THE MAXIMUM WEIGHT CAPACITY OF THE SHOWER SEAT IS 250 LBS.(113 kg) WHEN INSTALLED IN ACCORDANCE WITH THESE INSTRUCTIONS.

**! WARNING** Header must be an adequate anchor base secure into studs to support 250 lbs.

**! CAUTION** Use only for sitting. Not to be used for other purposes.

**! CAUTION** DO NOT install in a location where seated user and shower seat are close to direct steam emission.

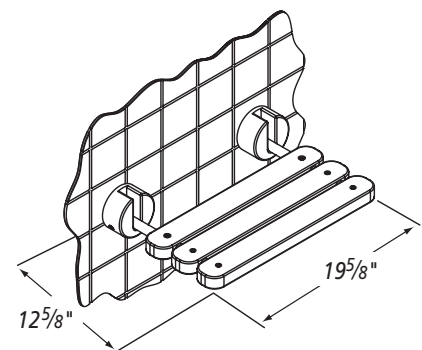
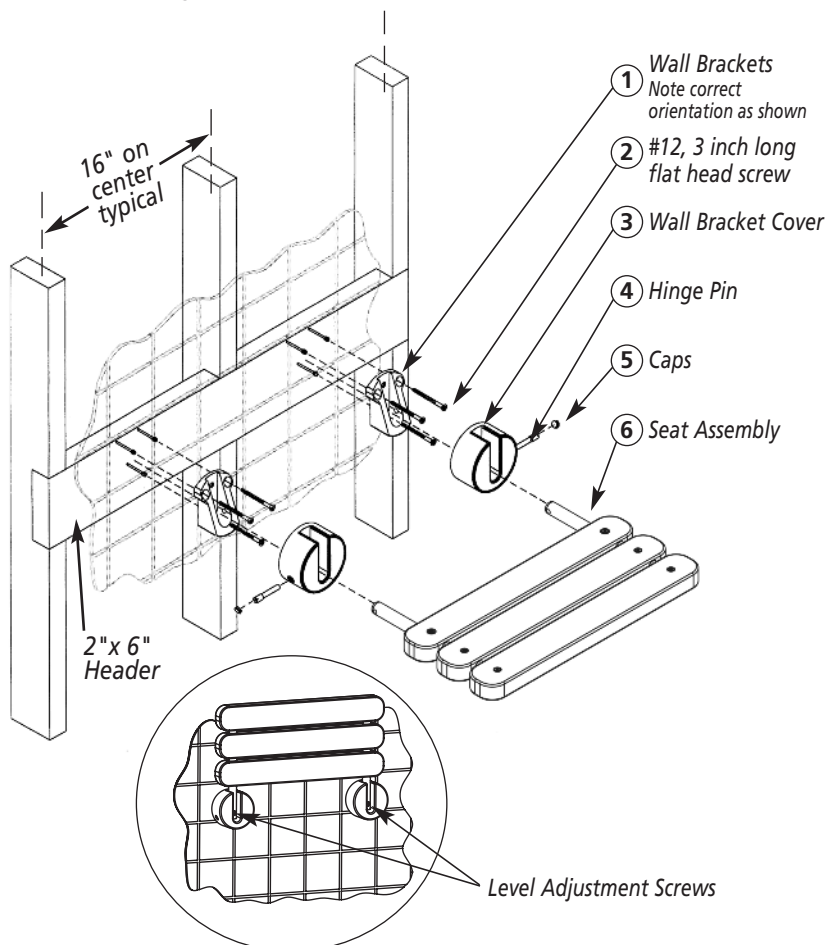
**! CAUTION** DO NOT install the shower seat on glass tile.

- Provide no smaller than a 2" x 6" header in the wall for mounting.
- Drill (6) 1/8 inch holes into the header a minimum of 1 1/2 inches deep using the template provided. Drill a 1/4 inch diameter hole through any tile or wall board for screw clearance. Brackets should be 17" to 20" above the floor
- Secure wall brackets to the wall as shown in the diagram. Note correct orientation as shown. Insure a minimum of 1/2 inches of the screws provided penetrate the header for strength

- Place wall bracket covers over brackets and secure seat assembly in place with the hinge pins. After assembly is completed, fit caps into hinge pin holes. The seat should raise and lower without binding.
- Use a level to determine if the seat folds down flat. If required use the adjustment screws as shown to level the seat.

### IMPORTANT:

- Use only mounting hardware provided in accordance with instructions.
- Test installation with a minimum 250 lb. load prior to use.
- One person maximum capacity.
- Clean with mild soap and water. Do not use abrasive cleaning products.
- Discontinue use if any parts appear damaged or degraded



Completed Assembly  
Shown in seating position

### CARTON CONTENTS:

ITEM	QTY	DESCRIPTION
1	2	Wall Brackets
2	6	#12, 3 inch long flat head screws
3	2	Wall Bracket Covers
4	2	Hinge Pins
5	2	Caps
6	1	Seat Assembly
	1	Installation manual
	1	Mounting template