

CU Steam Stop Installation Instructions

PACKAGE CONTENTS:

- Steam Stop Button
- 30ft of Low Voltage Wire
- Installation Instructions

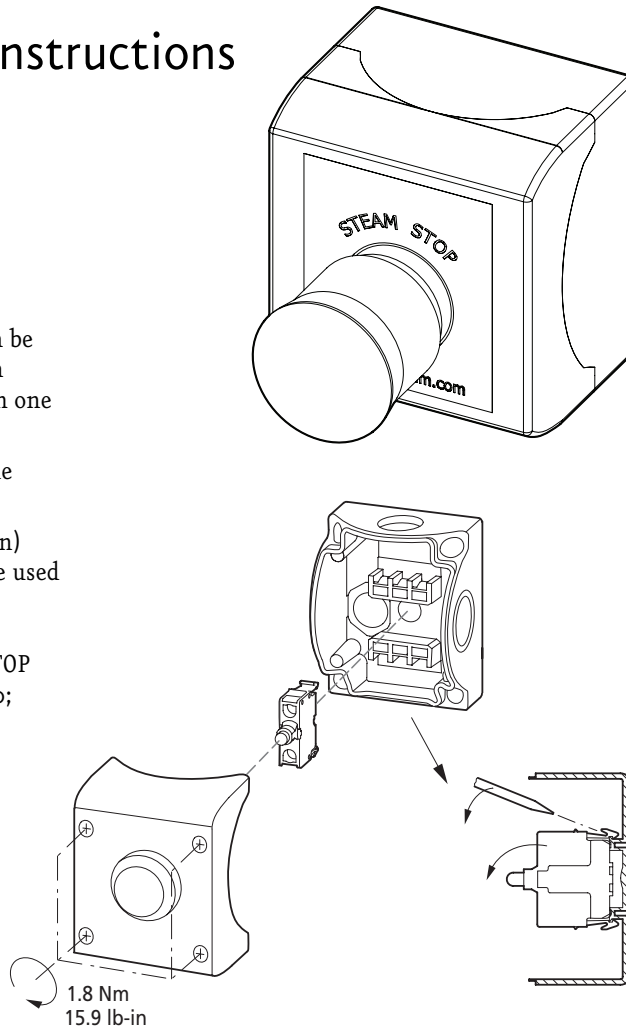
The CU-STEAMSTOP is an emergency stop button that can be used to shut down the steam generator in the event of an "emergency. Multiple CU-STEAMSTOPS can be installed on one Mr. Steam CU steam generator.

CU-STEAMSTOP buttons can be installed inside and outside of the steam room.

When installed inside the steam room (or any wet location) only Liquid-Tite, non-metallic fittings and conduit must be used (not supplied). Non-metallic conduit must be used when installing the CU-STEAMSTOP outside of the steamroom. Metallic conduit shall not be used to rout the CU-STEAMSTOP wires. The CU-STEAMSTOP accepts 1/4 & 1/2 NPT; M16 & M20; and Pg 13.5 & Pg 16 conduit and fittings.

Locating the CU-STEAMSTOP

1. The CU-STEAMSTOP shall be positioned for easy access by the attendant or user.
2. Remove the switch cover and use the 4 outer holes in the box to mark the mounting screw locations.
3. With the cover off, remove the internal switch mechanism as shown.
4. Select which conduit location in the box to use and carefully drill out the opening according to what conduit / fitting size you will use based on the chart to the right.
5. Replace the internal switch mechanism to the middle position in the CU-STEAM stop.
6. Securely fasten the CU-STEAMSTOP to the wall.



Hole Marking	Fitting	Drill Size
M16	1/4" NPT	35/64"
	M16	41/64"
M20 (Pg 13.5)	M20	51/64"
	Pg 13.5	53/64"
	1/2" NPT	27/32"
Pg 16	1/2" NPT	27/32"
	Pg 16	29/32"

IMPORTANT NOTE:

As you follow these instructions, you will notice warning and caution symbols. This blocked information is important for the safe and efficient installation and operation of this AromaFlo. These are two types of potential hazards that may occur during this installation and operation:



states a hazard which may cause serious injury or death if precautions are not followed.



signals a situation where minor injury or product damage may occur if you do not follow instructions.

IMPORTANT NOTE:

THIS HIGHLIGHTS INFORMATION THAT IS ESPECIALLY RELEVANT TO A PROBLEM-FREE INSTALLATION.

Wiring the CU-STEAMSTOP

! WARNING Electric shock hazard. Disconnect all power supplies at the main disconnect switch before proceeding. All electrical wiring must be installed by a qualified, licensed electrician in accordance with National and local codes.

1. Route the cable provided (if more than 30 feet is needed stranded 20 AWG wired may be spliced to the provided cable) through non-metallic conduit from the steam bath generator to the CU-STEAMSTOP button.

NOTE: The end of the cable with the connector shall be located at the steam generator.

2. Connect the bare ends of the cable to the internal switch mechanism in the CU-STEAM Stop.

- 3A. For CU Boilers Equipped with Digital 1 Controls: Connect the wire to the connector on the back of the Digital 1 control, as shown in the wiring Diagram A.

- 3B. For boiler equipped with F1 Plus controls: Splice the wire from the CU-STEAMSTOP into the each leg of the temperature probe leads on the back of the F1 Plus Control. Diagram B.

4. Additional CU-STEAMSTOPs shall be connected in parallel with the first button as shown in Diagram B.

Operation of the CU-STEAMSTOP:

1. With the boiler on, pressing the CU-STEAMSTOP button will stop the flow of steam to the steam room

NOTE: When used with a Digital 1 Control, the Digital 1 internal alarm (or CU-ALARM if equipped) will sound if the CU-STEAMSTOP is pressed.

! CAUTION Steam may begin to flow from the steamhead as soon as the CU-STEAMSTOP is reset.

2. To reset the CU-STEAMSTOP twist the red plunger in the direction of the arrows shown on it, the plunger will pop up and the steam flow will be restored.

